

SALIVA COLLECTION KIT

Introduction



Production Information

Description:	All-in-one system for saliva collection, stabilization and transport, storage
Composition:	Funnel, 10ml/5ml tube, Cap, Preservation Solution
Using:	Self - collection
Advantage:	Easily used by infants and elderly
Funnel Material:	Medical Grade Plastic PP
Tube Material:	Medical Grade Plastic PP
Cap Material:	Medical Grade Plastic PE

Features

- **Safe:**
Painless, non-invasive, no cross infection
- **Convenient:**
Transportation at room temperature, storage at room temperature for 1 month & low temperature(0-8°C) for 12 month after sampling, best testing time is within 7 days.
- **High efficiency:**
A large amount of DNA is obtained, and the extraction efficiency is high
- **Barcode:**
Each sample has a unique national standard barcode, standardizes sample management and protects the privacy of the subject
- **Simple operation:**
sampling can be completed in only three steps, preventing misuse

Saliva Collection Steps



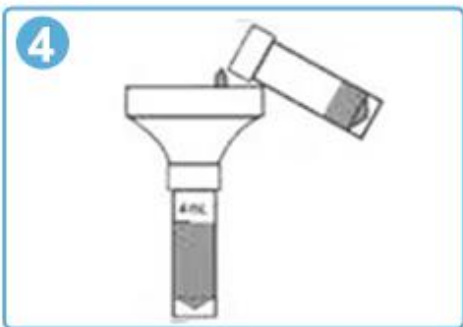
Clean the mouth



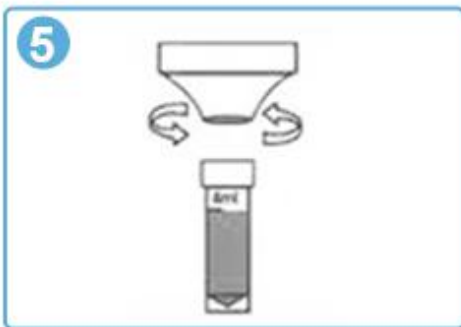
Vomit saliva lightly



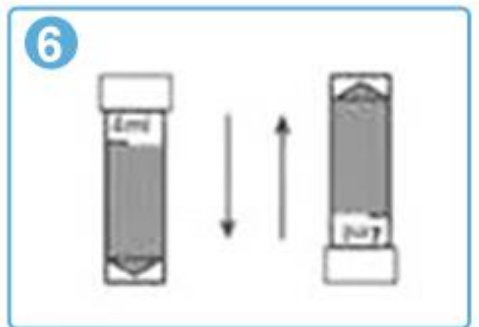
Unscrew the cap



Pour into the funnel



Unscrew the collection tube



Mix well

Funnel Choices



Funnel Number: PT

Funnel Number: YG



Funnel Number: BM



Funnel Number: YY



Package Choices

